

Smart
Intelligent controller
Creating intelligent and comfortable home life

Smart Life

HOME

-  Intelligent speaker voice control
-  Remote control of mobile app

LCD high definition screen
Tempered glass surface
AE-T7-K | AE-T7-K-WIFI

1. Product Introduction

AE series intelligent controller. It is widely used in families, residential buildings, schools, hotels, hospitals, offices and other environments to achieve ideal room temperature.

Modern design and fashionable appearance.

The LCD display can be seen clearly even in the dark.

Physical buttons are safe and reliable.

Accurate comfort control can keep the temperature within 1 ° C of your set value.

Data is automatically stored when the power is turned off.

The WiFi model can be remotely controlled using a mobile app/intelligent speaker voice control.



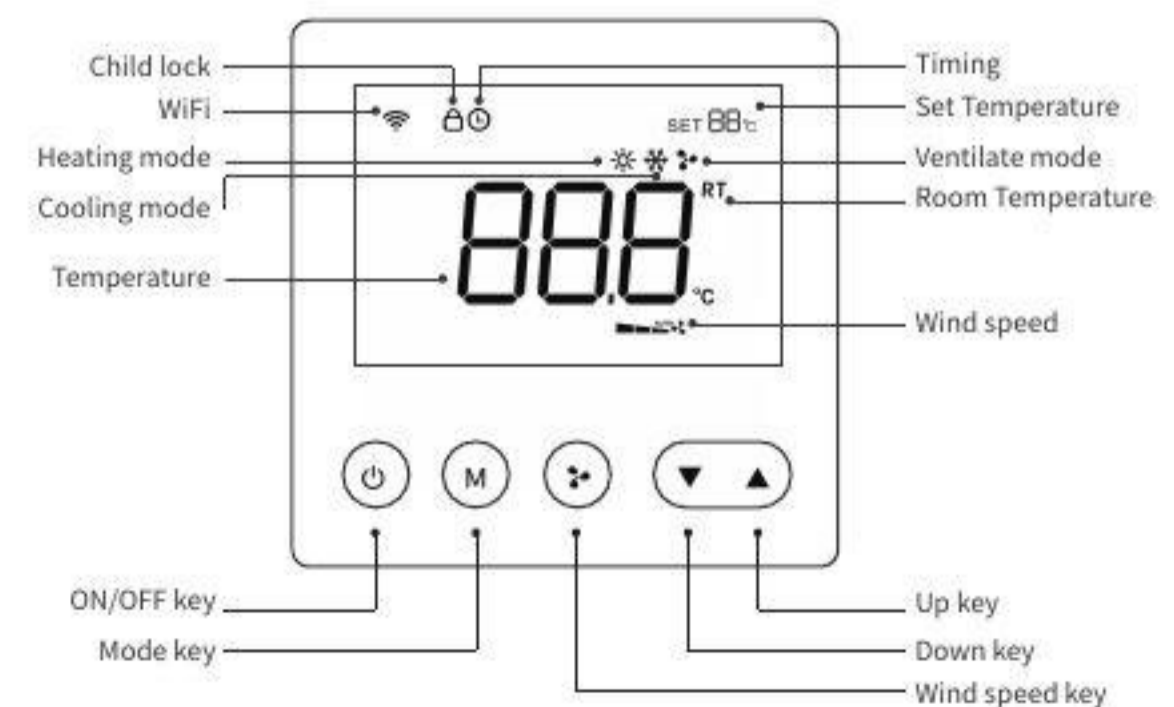
2. Product parameters

Temperature sensing element	Thermistor
control accuracy	±1°C
Installation hole spacing	60mm (standard)
work environment	0-40°C
Power supply voltage	110~230VAC 50\60Hz
Rated power	5A
Shell material	PC+ABS flame retardant
temperature range	5-35°C (Adjustable)

3. Operating instructions

- ◆ Temperature controller reset: After the initial installation of the temperature controller, please reset the temperature controller. In the shutdown state, press and hold the "▲" key for more than five seconds until 00 appears or the LCD screen is fully displayed. After completing the temperature controller reset, the temperature controller can work normally.
- ◆ Switch: Short press the "○" key to turn on or off the thermostat.
- ◆ Set temperature: When turning on the machine, briefly press the "▲" or "▼" keys to adjust the set temperature. Each time the key is pressed, the set temperature changes by 1 ° C.
- ◆ Mode switching: Short press the "M" key to switch between cooling, heating, and ventilation modes.
- ◆ Wind speed switching: Short press the "⚙️" key to switch between high, medium, low, and automatic wind speeds (there is no automatic wind speed in ventilation mode).
- ◆ Timing on/off setting: When turning on, you can set a duration of 1-23 hours for timing off, and when turning off, you can set a duration of 1-23 hours for turning on.
- ◆ Long press the "M" key to display the "⌚" symbol and the "--" symbol. Press the "▲" or "▼" keys to set the timed shutdown or startup time, and press any key to exit. At this point, the temperature controller will display a "⌚" sign, Indicates successful timing setting.
- ◆ Cancel timing: Press and hold the "▼" key to cancel the set timing function, and the "⌚" icon on the screen will disappear.
- ◆ Child lock settings: Press and hold the "⚙️" key to open or close the child lock.

4. Show Introduction



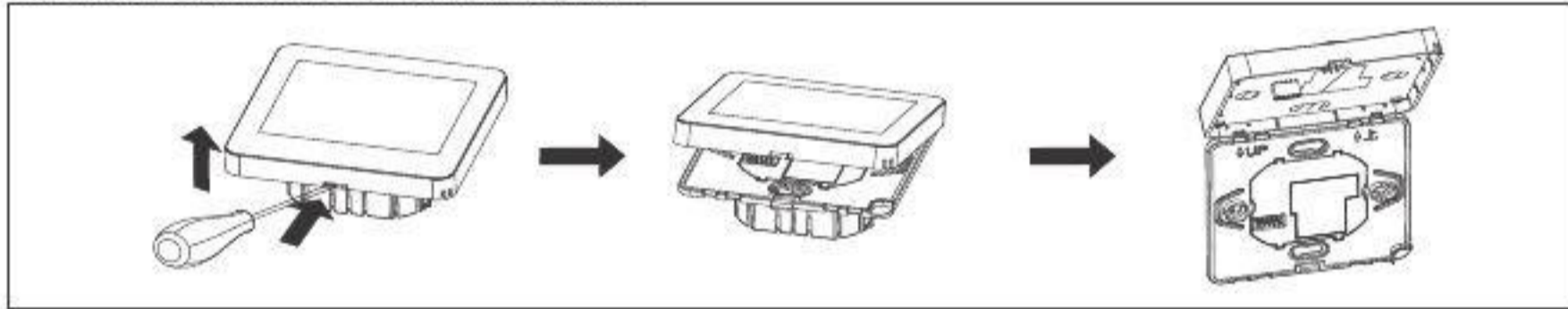
5. Advanced setting

Press and hold the "▲" and "▼" keys for 3s while shutting down the machine to enter the advanced setting function. The specific operation is as follows: Then briefly press "□" key to switch parameters, press "▲" and "▼" to adjust parameter values, and press "○" key to exit saving.

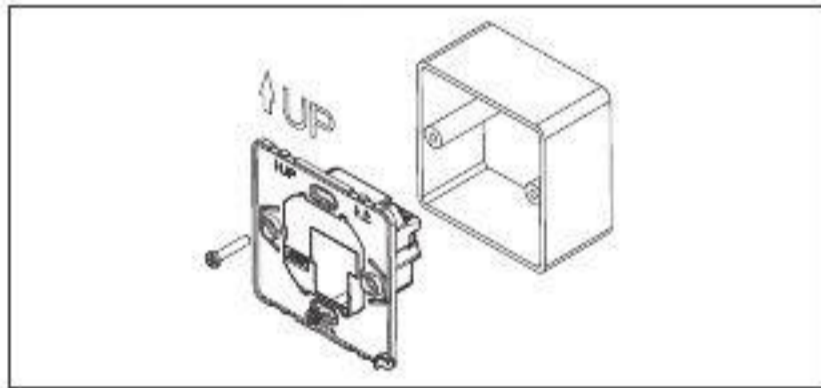
Numbers	Current display value definition	Range	Explain	Default
00	Correction value of indoor temperature	±10.0°C	Adjust to the correct room temperature	0°C
01	Set the upper temperature limit	60°C	Set the maximum temperature	40°C
02	Set the lower temperature limit	5°C	Set the minimum temperature	5°C
03	Switch deviation setting	0-10.0°C	Set output deviation value	1.0°C
04	Low temperature protection function	00-01	00 off, 01 on	00
05	Adjust to correct room temperature	00-10	0-10 second delay output time	00
06	Restore factory settings	00-01	01 Restore factory default	00

6. Installation method

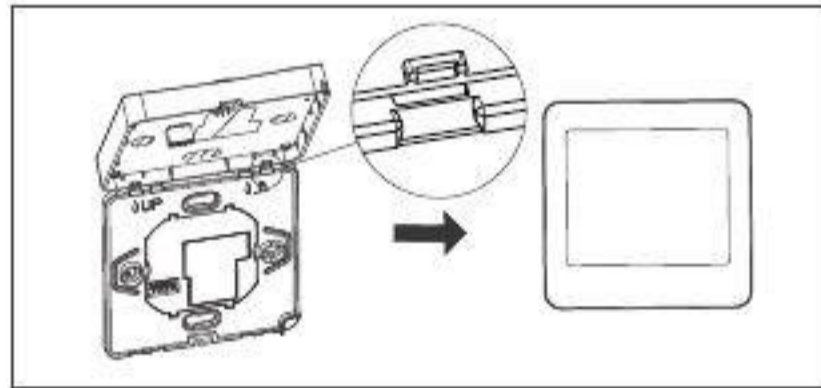
1. Remove the front panel of the thermostat with a screwdriver.



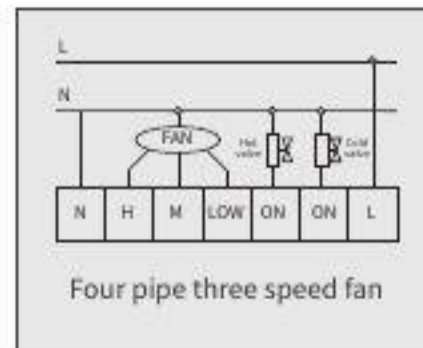
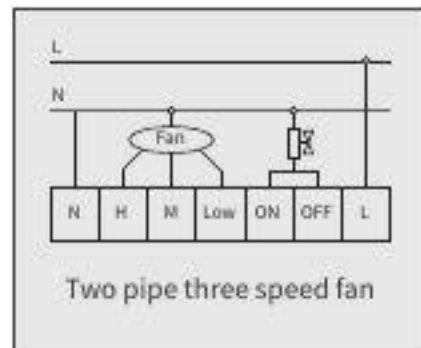
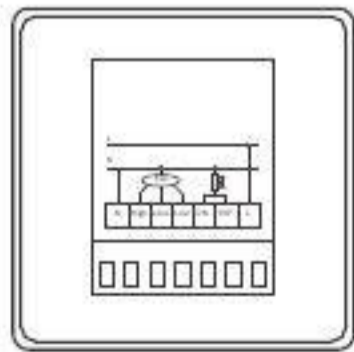
2. Install the rear shell of the thermostat in the cassette on the wall, tighten the screws, and then fix the front panel of the thermostat on the rear shell.



3. Fix the snap at the bottom of the thermostat.



7. Wiring diagram



8. WiFi connection

WiFi reset: (All products have been reset with WiFi before leaving the factory. To ensure the wifi configuration is smooth or the user misoperation and other reasons, it is recommended that all wifi configurations should be initialized and reset.): In the shutdown state, long press the "○" key of the temperature controller, and 00 will appear. Then press the "▲" key to adjust 00 to 01, and then press the "○" key to save to complete the wifi reset of the temperature controller.



(Figure 1)

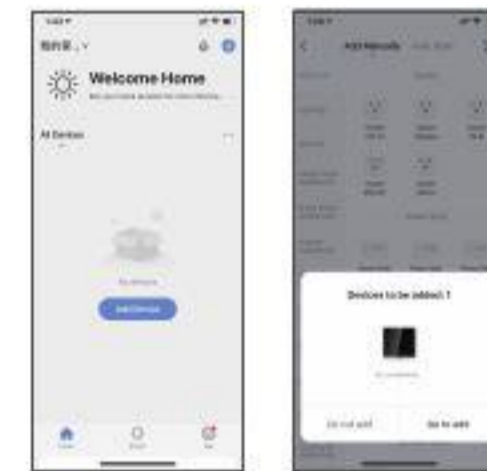


(Figure 1)

Connect the device to the APP (first scan the QR code to download the APP, complete the registration, and then follow the following steps to configure the WiFi)

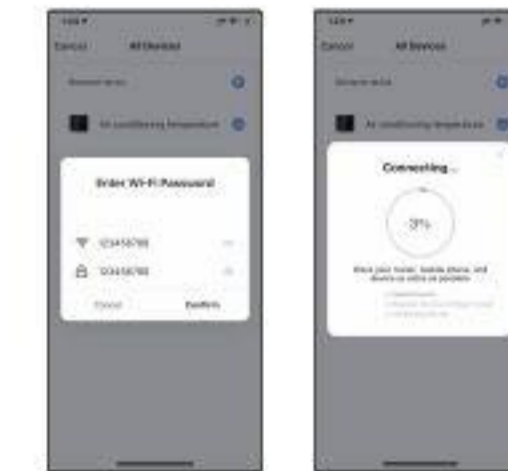
1. Bluetooth connection

Turn on the Bluetooth function of the phone, and then open the downloaded APP. Wait a few seconds for the following picture to appear, click "Go to add".



2. Search for device

The password appears automatically or manually enter the password. Click "Confirm" to show the percentage connection progress.



3. Connection complete

Click on the "+" sign. Connection complete.



4. Auto connect

Or choose automatic connection. Wait for the following picture to appear, click "Next".



5. Connection complete

Click "Done" to complete the connection.



Two-dimensional code of APP