

Smart
Intelligent controller
Creating intelligent and comfortable home life

Smart Life

HOME

-  Intelligent speaker voice control
-  Remote control of mobile app

LCD high definition screen
Tempered glass surface
AE-940-D | AE-940-D-WIFI



1. Product Introduction

AE series intelligent controller. It is widely used in families, residential buildings, schools, hotels, hospitals, offices and other environments to achieve ideal room temperature.

Modern design and fashionable appearance.

The LCD display can be seen clearly even in the dark.

Tempered glass surface can avoid finger scratch.

The touch button is easy to operate.

Accurate comfort control can keep the temperature within 1°C of your set value.

Data is automatically stored when the power is turned off.

The WiFi model can be remotely controlled using a mobile app/intelligent speaker voice control.

2. Product parameters

Temperature sensing element	Thermistor
control accuracy	±1°C
Installation hole spacing	60mm (standard)
work environment	0-45°C
supply voltage	220±10VAC
Rated power	16A (Electric) 3A (Water)
Shell material	PC+ABS flame retardant
temperature range	5-60°C (Adjustable)

3. Operating instructions

Temperature controller reset: After the initial installation of the temperature controller, please reset the temperature controller. In the shutdown state, press and hold the "▲" key for more than five seconds until 00 appears or the LCD screen is fully displayed. After completing the temperature controller reset, the temperature controller can work normally.

After the thermostat stops operating for 60 seconds, it enters the concise interface. At this time, the thermostat only displays the indoor temperature. The temperature of the thermostat is in the heating state, and the temperature is displayed in orange. The temperature in the standby state is displayed in white. This function can be set in the advanced settings. Set (10) to change: Change the thermostat to be always on or the thermostat to turn off the screen after 60 seconds of stopping operation.

Switch on and off: short press the "○" key to turn on or off the thermostat.

Setting the temperature: When the machine is turned on, short press the "▲" or "▼" key to adjust the set temperature, each time the key is pressed, the set temperature changes by 1°C, the temperature will flash when setting, and it can be restored in 5 seconds, or short press the "M" key at this time. Determine the adjusted temperature.

Time setting: Short press the "M" key to set the time, and the time will turn green. Press the "□" key to switch between minutes, hours, and weeks and turn green. Press the "▲" or "▼" keys to adjust the value.

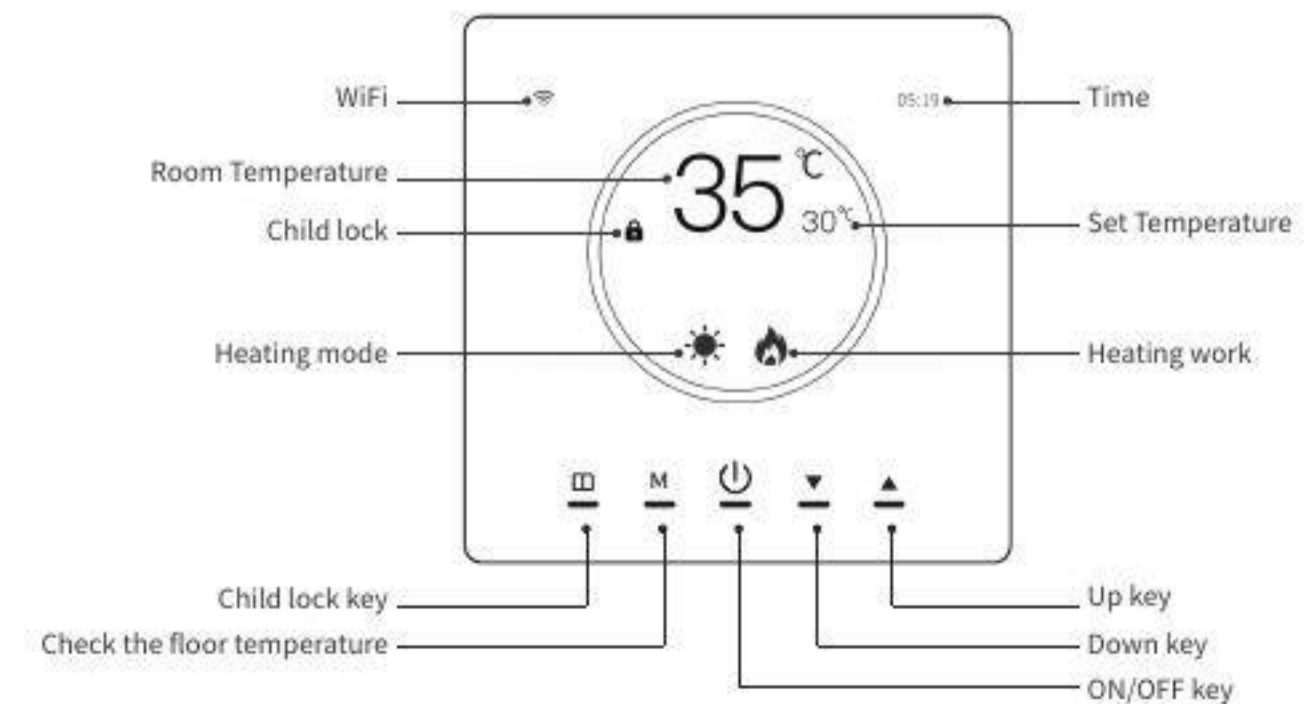
Single timing setting: When turning on, a single timed shutdown can be set. When turning off, a single timed startup can be set. Short press the "M" key to turn the time green, and then press the "□" key until the timer "--:--" appears. Press the "▲" or "▼" keys to set the specific timing for turning on or off. After the setting is completed, press the "○" key to exit. At this time, a "⊙" mark appears on the screen, indicating successful setting.

Cancel the single timing setting: Press and hold the "▼" key while turning on to cancel the timed shutdown.

Press and hold the "▼" key while shutting down to cancel the scheduled startup.

Error prompt: if the Err2 prompt appears, please refer to the "02" item in "Advanced Settings" at the bottom of this page, and select "00 Built-in" for the sensor.

4. Show Introduction



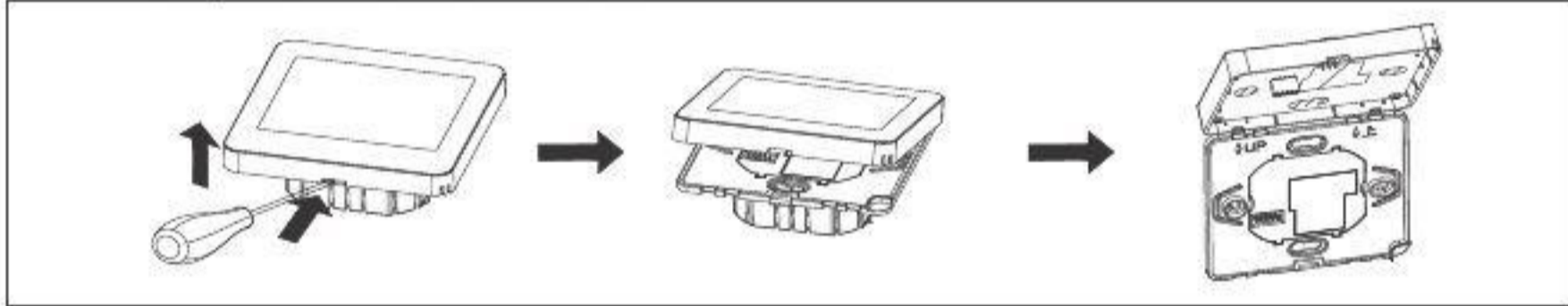
5. Advanced setting

Press and hold the "▲" and "▼" keys for 3s while shutting down the machine to enter the advanced setting function. The specific operation is as follows: Then briefly press "□" key to switch parameters, press "▲" and "▼" to adjust parameter values, and press "○" key to exit saving.

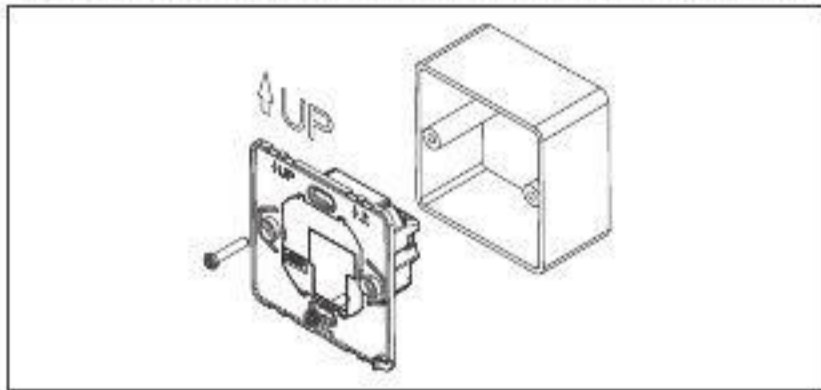
Numbers	Current display value definition	Range	Explain	Default
00	Correction value of indoor temperature	±10.0°C	Adjust to the correct room temperature	0°C
01	Floor temperature correction value	±10.0°C	Fine adjustment value of floor temperature sensor	0°C
02	Sensor selection	00-02	00 internal, 01 external, 02 internal and external	00
03	Set the upper temperature limit	35-60°C	Set the maximum temperature	35°C
04	Set lower temperature limit	5-15°C	Set the minimum temperature	5°C
05	Switch deviation setting	0-10.0°C	Set output deviation value	1.0°C
06	Delay output time	00-10	0-10 second delay output time	01
07	Warning value of floor temperature	0-80.0°C	Maximum floor temperature	60
08	Low temperature protection function	00-01	00 Close, 01 Open	00
09	language selection	00-01	00 Chinese, 01 English	01
10	Screen off function selection	00-02	00 screen off, 01 indoor temperature, 02 normally on	01
11	Restore factory settings	00-01	01 Restore factory default	00

6. Installation method

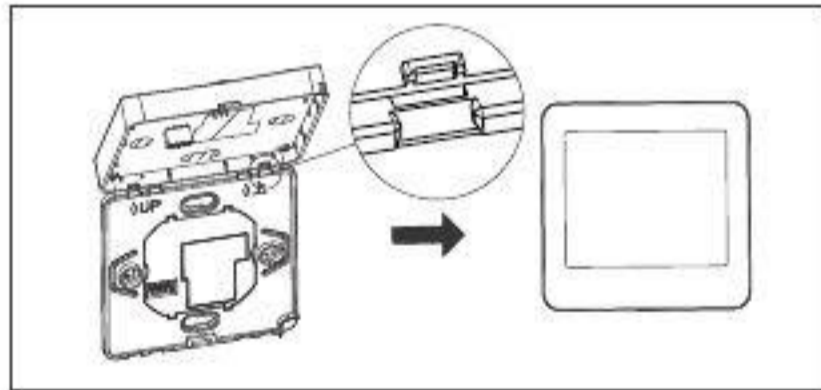
1. Remove the front panel of the thermostat with a screwdriver.



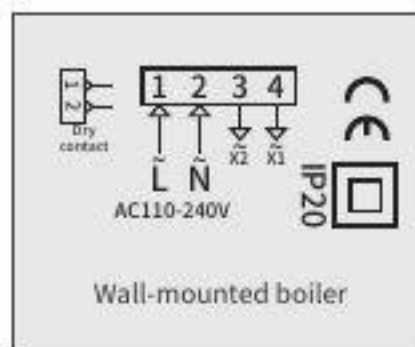
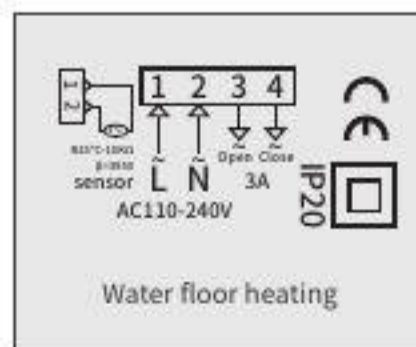
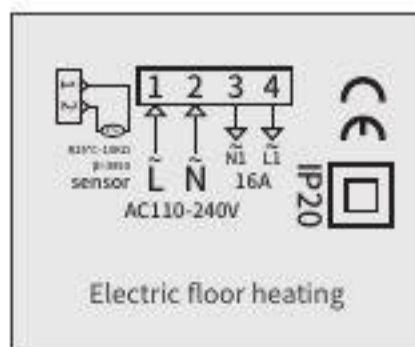
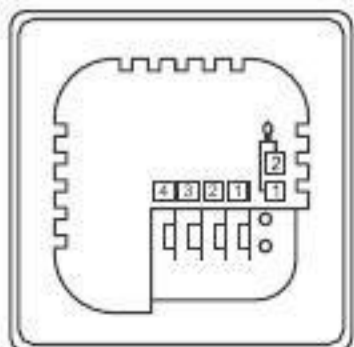
2. Install the rear shell of the thermostat in the cassette on the wall, tighten the screws, and then fix the front panel of the thermostat on the rear shell.



3. Fix the snap at the bottom of the thermostat.

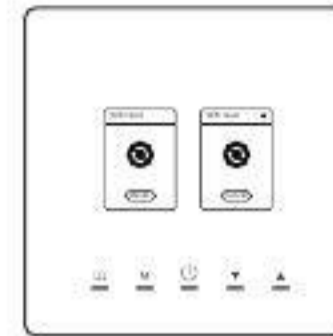


7. Wiring diagram

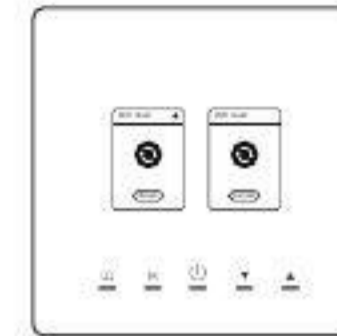


8. WiFi connection

WiFi reset: When the power is off, press and hold the "○" key, the following interface appears, press the "▲" or "▼" key to choose whether to reset Wi-Fi, press the "○" key to confirm, and the Wi-Fi reset is completed.



(Cancel reset)



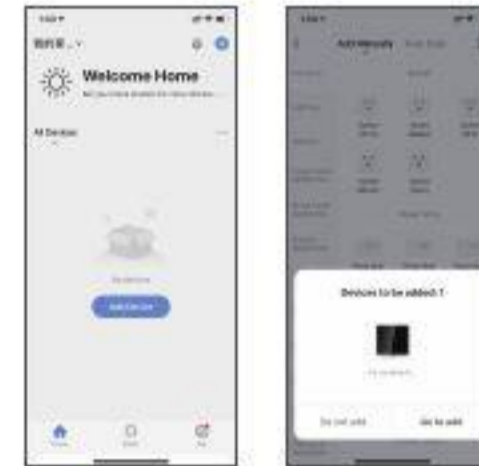
(Reset)

This step is only for initialization, Please continue with the following steps for wifi connection.

Connect the device to the APP (first scan the QR code to download the APP, complete the registration, and then follow the following steps to configure the WiFi)

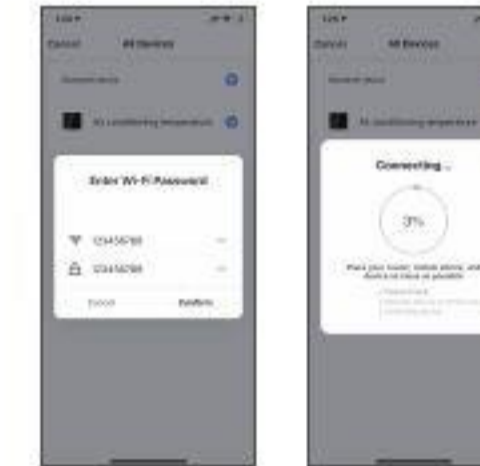
1. Bluetooth connection

Turn on the Bluetooth function of the phone, and then open the downloaded APP. Wait a few seconds for the following picture to appear, click "Go to add".



2. Search for device

The password appears automatically or manually enter the password. Click "Confirm" to show the percentage connection progress.



3. Connection complete

Click on the "+" sign. Connection complete.



4. Auto connect

Or choose automatic connection. Wait for the following picture to appear, click "Next".



5. Connection complete

Click "Done" to complete the connection.



Two-dimensional code of APP