

Smart
Intelligent controller
Creating intelligent and comfortable home life

Smart Life

HOME

- Intelligent speaker voice control
- Remote control of mobile app

LCD high definition screen
Tempered glass surface
AE-740K-VRF | AE-740K-VRF-WIFI

1. Product Introduction



AE series intelligent controller. It is widely used in families, residential buildings, schools, hotels, hospitals, offices and other environments to achieve ideal room temperature.

Modern design and fashionable appearance.

The LCD display can be seen clearly even in the dark.

Tempered glass surface can avoid finger scratch.

The touch button is easy to operate.

Accurate comfort control can keep the temperature within 1 ° C of your set value.

Data is automatically stored when the power is turned off.

The WiFi model can be remotely controlled using a mobile app/intelligent speaker voice control.

2. Product parameters

Temperature sensing element	Thermistor
Control accuracy	±1°C
Installation hole spacing	60mm (standard)
Work environment	0-45°C
Shell material	PC+ABS flame retardant
Temperature range	16~32°C (adjustable)

3. Operating instructions

Temperature controller reset: After the initial installation of the temperature controller, please reset the temperature controller. In the shutdown state, press and hold the "▲" key for more than five seconds until 00 appears or the LCD screen is fully displayed. After completing the temperature controller reset, the temperature controller can work normally.

After the thermostat stops operating for 60 seconds, it enters the concise interface. At this time, the thermostat only displays the indoor temperature. The temperature of the thermostat is in the heating state, and the temperature is displayed in orange. The temperature in the cooling state is displayed in blue, and the thermostat is in standby. The status temperature is displayed in white, and this function can be changed in the advanced settings (09): change to the thermostat always on or the thermostat to turn off the screen after 60 seconds of stopping operation.

Switch on and off: short press the "⏻" key to turn on or off the thermostat.

Child lock setting: Long press the "🔒" key for 3 seconds to turn on or off the child lock function, the controller runs normally, and the key function is invalid.

Set temperature: When the machine is turned on, short press the "▲" or "▼" key to adjust the set temperature, and the set temperature changes by 1°C each time the key is pressed.

Mode switching: Short press the "🔄" key to switch between air-pan cooling, air-pan heating, and floor heating (air conditioning and floor heating two-in-one) modes

Wind speed switch: Short press "M" key for high, medium, low and automatic wind speed switching.

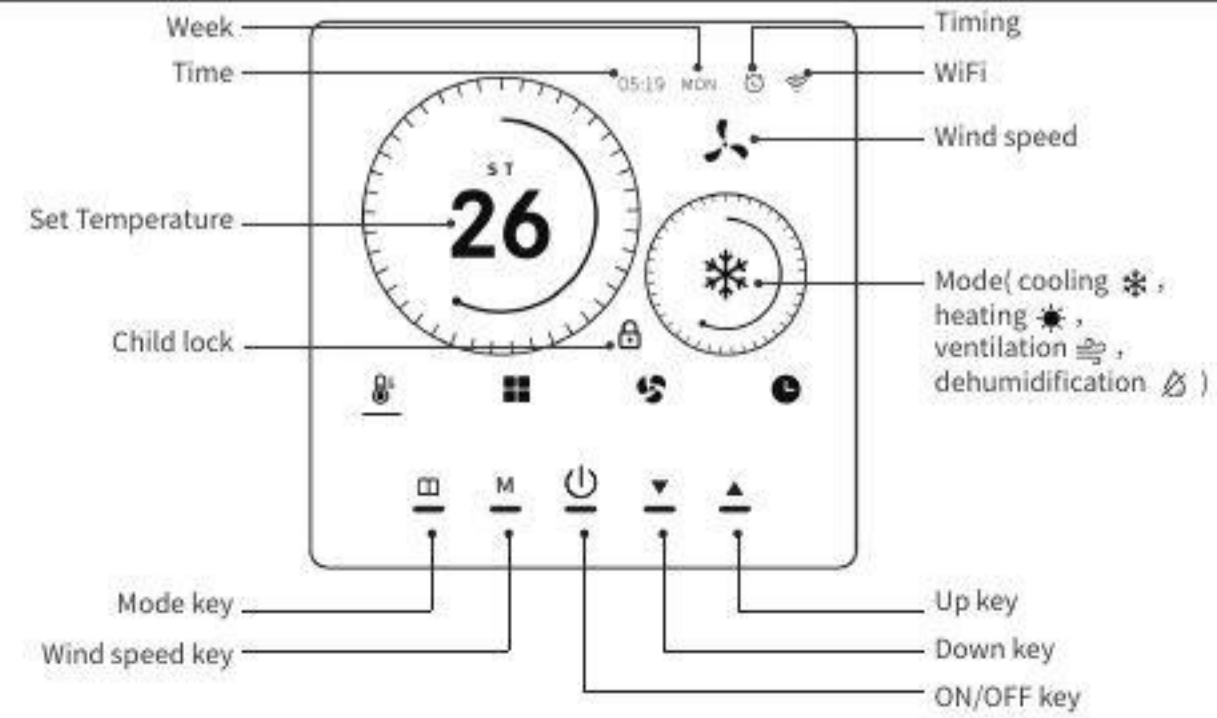
Time setting: long press the "M" key to set the time, and the time will turn green. Press the "🕒" key to switch between minutes, hours, and weeks and turn green. Press the "▲" or "▼" keys to adjust the value.

Single timing setting: When turning on, a single timed shutdown can be set. When turning off, a single timed startup can be set. Short press the "M" key to turn the time green, and then press the "🕒" key until the timer "--:" appears. Press the "▲" or "▼" keys to set the specific timing for turning on or off. After the setting is completed, press the "⏻" key to exit. At this time, a "🕒" mark appears on the screen, indicating successful setting.

Cancel the single timing setting: Press and hold the "▼" key while turning on to cancel the timed shutdown.

Press and hold the "▼" key while shutting down to cancel the scheduled startup.

4. Show Introduction



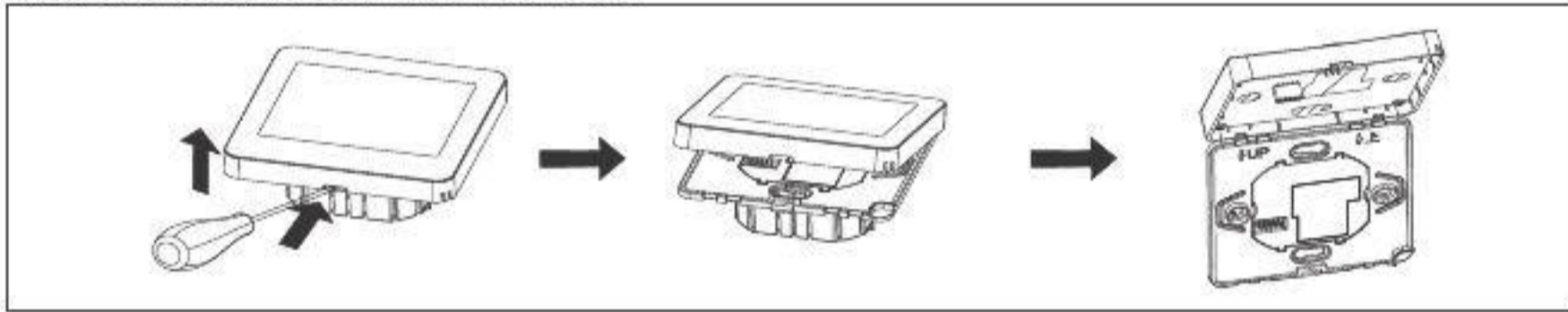
5. Advanced setting

Press and hold the "▲" and "▼" keys for 3s while shutting down the machine to enter the advanced setting function. The specific operation is as follows: Then briefly press "□" key to switch parameters, press "▲" and "▼" to adjust parameter values, and press "○" key to exit saving.

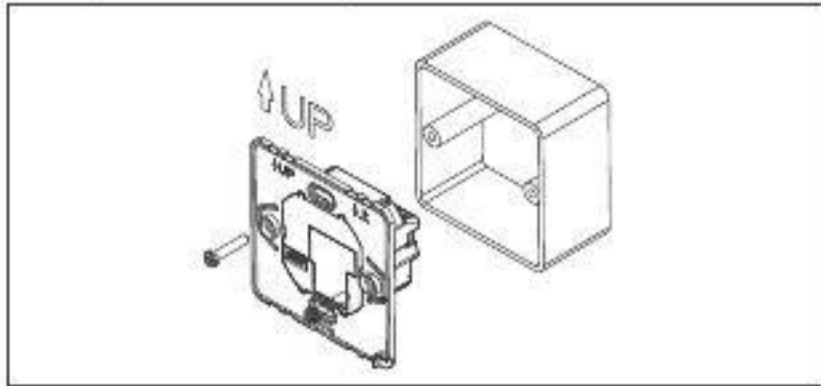
Numbers	Current display value definition	Range	Explain	Default
00	Set the upper temperature limit	lower limit-32°C	Set the maximum temperature	30°C
01	Set the lower temperature limit	16°C-lower limit	Set the minimum temperature	18°C
02	Temperature selection value	00-02	00- No temperature 01- Built in temperature 02- Return air temperature	02
03	Built in temperature calibration value	-10.0~10.0	Adjust to the appropriate value	00
04	Standby display mode	00-02	00- No change in standby display 01. Real time temperature display in standby mode 02- No display in standby mode	01
05	Selection value of standby backlight brightness	00-10	Adjust to the appropriate value	00
06	Enter standby time value	01-60	Unit 10s	06
08	Restore factory settings	00-01	01Restore to factory default	00

6. Installation method

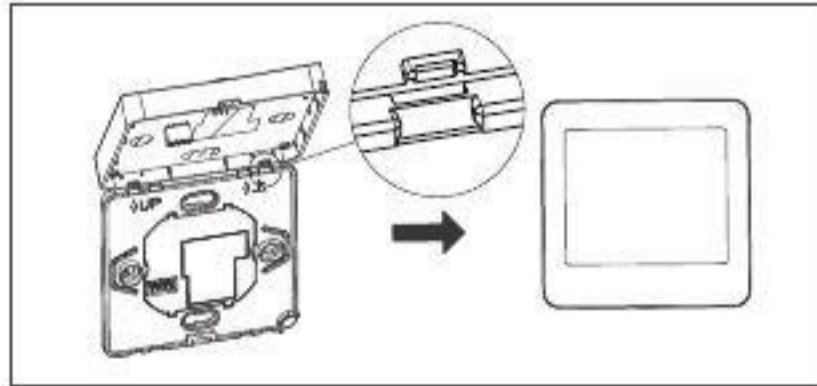
1. Remove the front panel of the thermostat with a screwdriver.



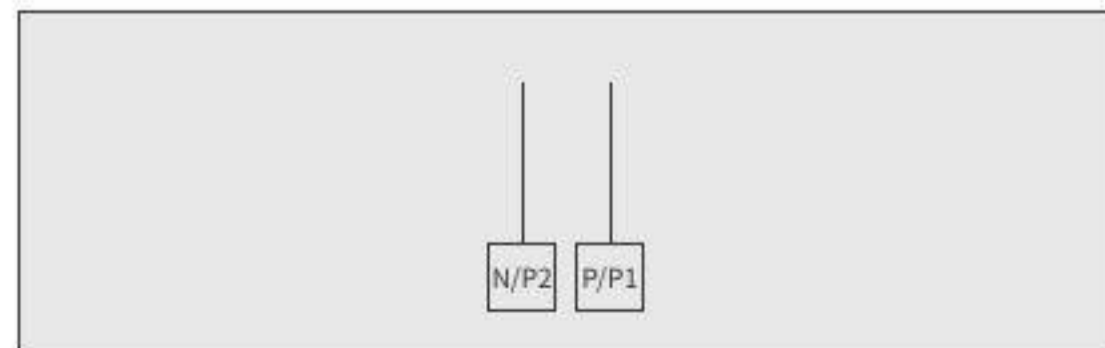
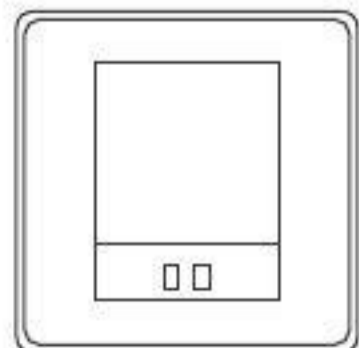
2. Install the rear shell of the thermostat in the cassette on the wall, tighten the screws, and then fix the front panel of the thermostat on the rear shell.



3. Fix the snap at the bottom of the thermostat.

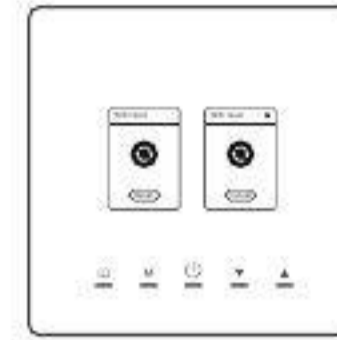


7. Wiring diagram

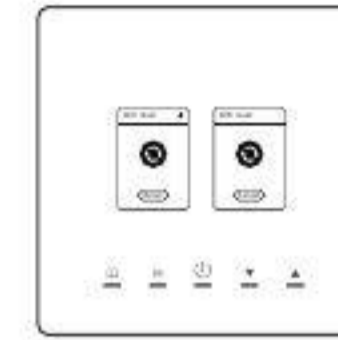


8. WiFi connection

WiFi reset: When the power is off, press and hold the "○" key, the following interface appears, press the "▲" or "▼" key to choose whether to reset Wi-Fi, press the "○" key to confirm, and the Wi-Fi reset is completed.



(Cancel reset)



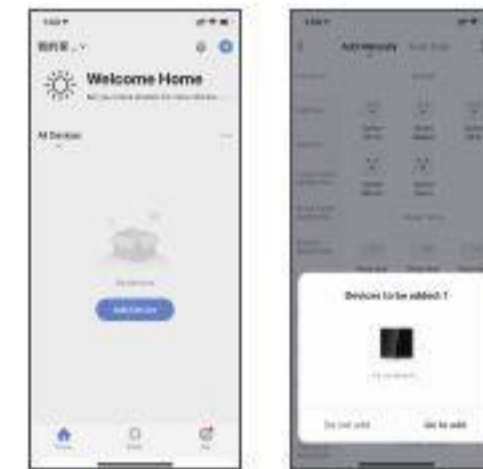
(Reset)

This step is only for initialization, Please continue with the following steps for wifi connection.

Connect the device to the APP (first scan the QR code to download the APP, complete the registration, and then follow the following steps to configure the WiFi)

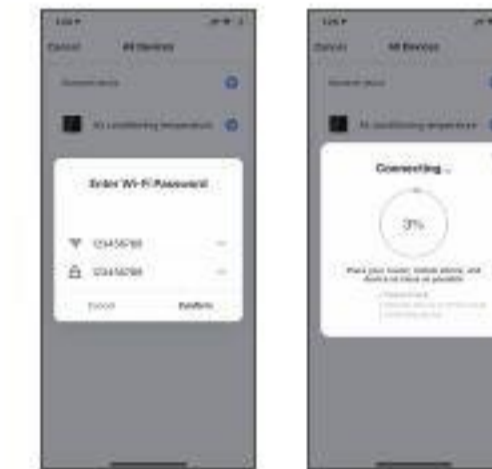
1. Bluetooth connection

Turn on the Bluetooth function of the phone, and then open the downloaded APP. Wait a few seconds for the following picture to appear, click "Go to add".



2. Search for device

The password appears automatically or manually enter the password. Click "Confirm" to show the percentage connection progress.



3. Connection complete

Click on the "+" sign. Connection complete.



4. Auto connect

Or choose automatic connection. Wait for the following picture to appear, click "Next".



5. Connection complete

Click "Done" to complete the connection.



Two-dimensional code of APP