

Smart
Intelligent controller
Creating intelligent and comfortable home life

Smart Life

HOME

- Intelligent speaker voice control
- Remote control of mobile app

LCD high definition screen
Tempered glass surface

AE-5507-VRF | AE-5507-VRF-ZIGBEE

1. Product Introduction

AE series intelligent controller. It is widely used in families, residential buildings, schools, hotels, hospitals, offices and other environments to achieve ideal room temperature.

Modern design and fashionable appearance.

The LCD display can be seen clearly even in the dark.

Tempered glass surface can avoid finger scratch.

The touch button is easy to operate.

Accurate comfort control can keep the temperature within 1 ° C of your set value.

Data is automatically stored when the power is turned off.

The WiFi model can be remotely controlled using a mobile app/intelligent speaker voice control.



2. Product parameters

Temperature sensing element	Thermistor
Control accuracy	±1°C
Installation hole spacing	60mm (standard)
Work environment	0-45°C
Shell material	PC
Temperature range	16-32°C (adjustable)

3. Operating instructions

Temperature controller reset: After the initial installation of the temperature controller, please reset the temperature controller. In the shutdown state, press and hold the "▲" key for more than five seconds until 00 appears or the LCD screen is fully displayed. After completing the temperature controller reset, the temperature controller can work normally.

After the thermostat stops operating for 60 seconds, it enters the concise interface. At this time, the thermostat only displays the indoor temperature. The temperature of the thermostat is in the heating state, and the temperature is displayed in orange. The temperature in the cooling state is displayed in blue, and the thermostat is in standby. The status temperature is displayed in white, and this function can be changed in the advanced settings (09): change to the thermostat always on or the thermostat to turn off the screen after 60 seconds of stopping operation.

Switch on and off: short press the "⏻" key to turn on or off the thermostat.

Child lock setting: Long press the "🔒" key for 3 seconds to turn on or off the child lock function, the controller runs normally, and the key function is invalid.

Set temperature: When the machine is turned on, short press the "▲" or "▼" key to adjust the set temperature, and the set temperature changes by 1°C each time the key is pressed.

Mode switching: Short press the "🔄" key to switch between air-pan cooling, air-pan heating, and floor heating (air conditioning and floor heating two-in-one) modes

Wind speed switch: Short press "M" key for high, medium, low and automatic wind speed switching.

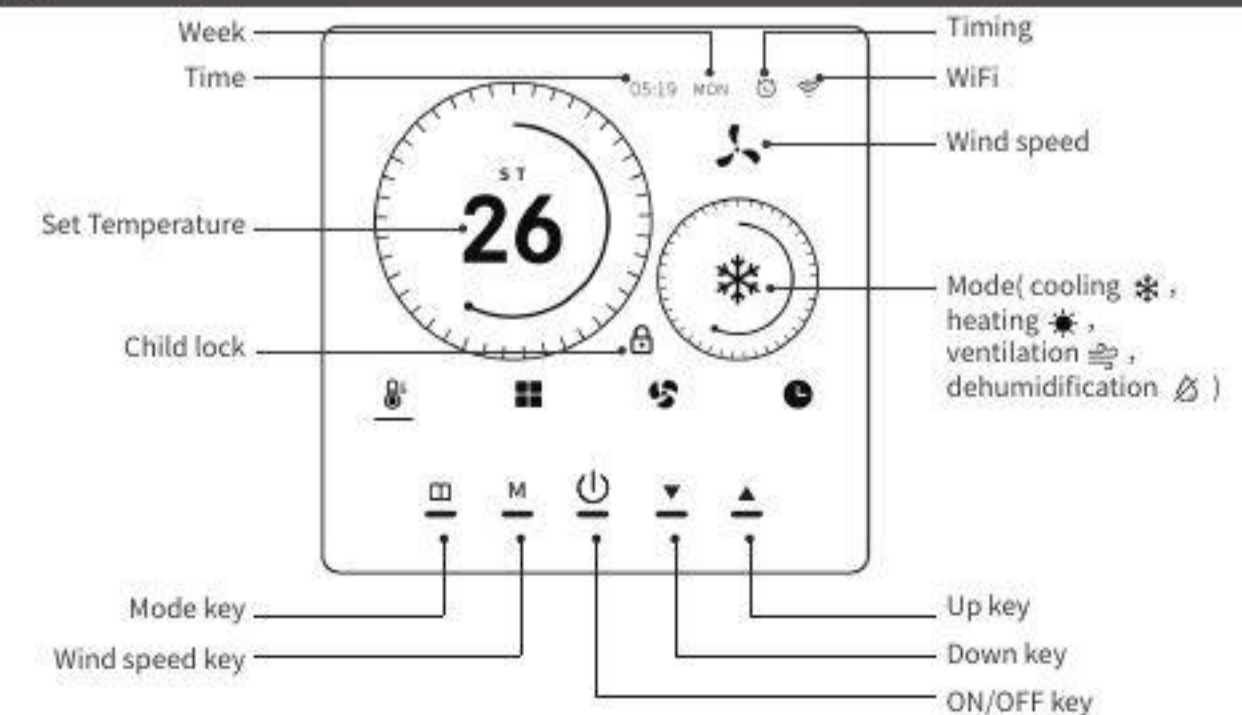
Time setting: long press the "M" key to set the time, and the time will turn green. Press the "🕒" key to switch between minutes, hours, and weeks and turn green. Press the "▲" or "▼" keys to adjust the value.

Single timing setting: When turning on, a single timed shutdown can be set. When turning off, a single timed startup can be set. Short press the "M" key to turn the time green, and then press the "🕒" key until the timer "--:" appears. Press the "▲" or "▼" keys to set the specific timing for turning on or off. After the setting is completed, press the "⏻" key to exit. At this time, a "🕒" mark appears on the screen, indicating successful setting.

Cancel the single timing setting: Press and hold the "▼" key while turning on to cancel the timed shutdown.

Press and hold the "▼" key while shutting down to cancel the scheduled startup.

4. Show Introduction



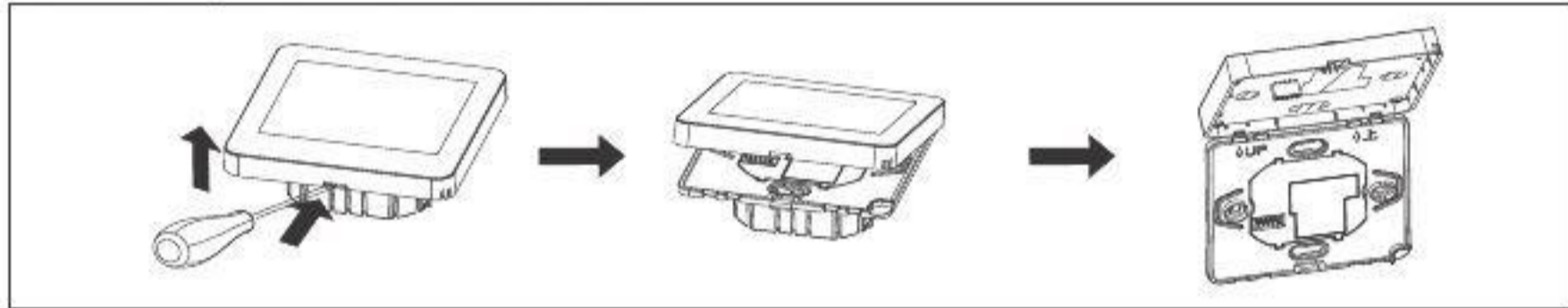
5. Advanced setting

Press and hold the "▲" and "▼" keys for 3s while shutting down the machine to enter the advanced setting function. The specific operation is as follows: Then briefly press "□" key to switch parameters, press "▲" and "▼" to adjust parameter values, and press "○" key to exit saving.

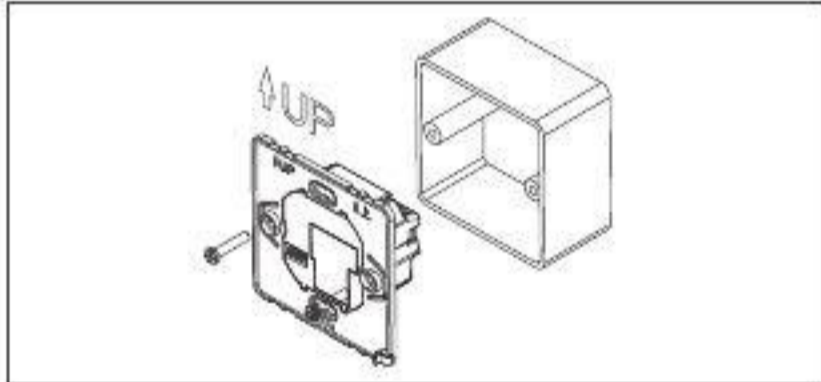
Numbers	Current display value definition	Range	Explain	Default
00	Set the upper temperature limit	Minimum-32°C	Set the maximum temperature	32°C
01	Set the lower temperature limit	16°C-Max	Set the minimum temperature	16°C
02	Screen off function selection	00-02	00 Screen off, 01 Indoor temperature, 02 always bright	01
03	language selection	00-01	00 Chinese, 01 English	01
04	Restore factory settings	00-01	01Restore to factory default	00

6. Installation method

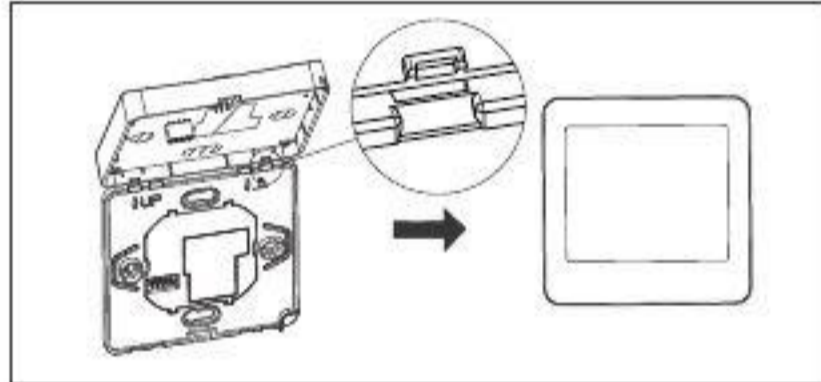
1. Remove the front panel of the thermostat with a screwdriver.



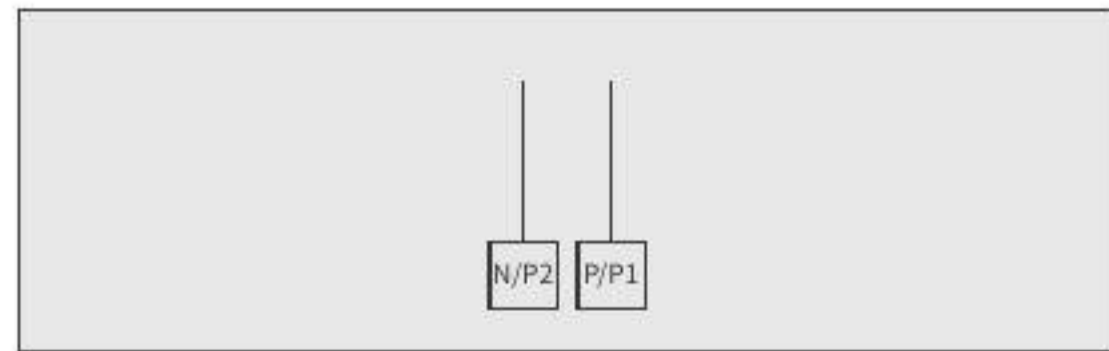
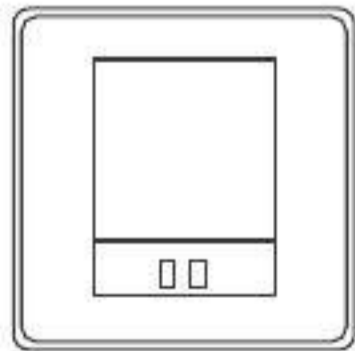
2. Install the rear shell of the thermostat in the cassette on the wall, tighten the screws, and then fix the front panel of the thermostat on the rear shell.



3. Fix the snap at the bottom of the thermostat.



7. Wiring diagram



8. Zigbee connection

1. User registration

Scan Tuya QR code, download Smart Life app and register users.



2. Zigbee gateway reset

Reset the Zigbee gateway according to the Zigbee manual.

3. Tuya zigbee smart gateway networking

Long press the reset button until the red light flashes to start the network configuration, open the home page of the app, click the + sign in the upper right corner, and then configure the steps as shown in the figure below.



(Figure1)



(Figure2)



(Figure3)



(Figure4)



(Figure5)



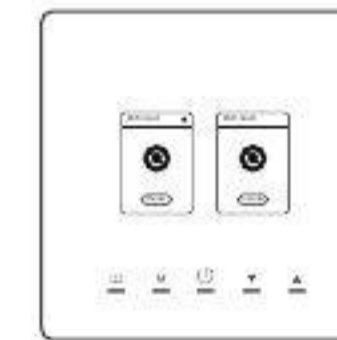
(Figure6)

4. Temperature controller Zigbee connection reset

Zigbee reset: When the power is off, press and hold the "○" key, the following interface appears, press the "▲" or "▼" key to choose whether to reset zigbee, press the "○" key to confirm, and the zigbee reset is completed.



(Cancel reset)



(Reset)

This step is only for initialization, Please continue with the following steps for zigbee connection.

5. Wire controller networking

1. Open the networked zigbee gateway and click to add a sub-device



2. At this time, confirm that the Wi-Fi symbol of the remote controller appears and flashes, and click



3. The search device appears



4. Wait patiently for more than ten seconds, the thermostat icon appears, click Finish, the network configuration is successful

