

Smart
Intelligent controller
Creating intelligent and comfortable home life

Smart Life

HOME

- Intelligent speaker voice control
- Remote control of mobile app

LCD high definition screen
Tempered glass surface
AE-5503-D | AE-5503-D-WIFI



1. Product Introduction

AE series intelligent controller. It is widely used in families, residential buildings, schools, hotels, hospitals, offices and other environments to achieve ideal room temperature.

Modern design and fashionable appearance.

The LCD display can be seen clearly even in the dark.

Tempered glass surface can avoid finger scratch.

The touch button is easy to operate.

Accurate comfort control can keep the temperature within 1 °C of your set value.

Data is automatically stored when the power is turned off.

The WiFi model can be remotely controlled using a mobile app/intelligent speaker voice control.

3. Operating instructions

Temperature controller reset: After the initial installation of the temperature controller, please reset the temperature controller. In the shutdown state, press and hold the "▲" key for more than five seconds until 00 appears or the LCD screen is fully displayed. After completing the temperature controller reset, the temperature controller can work normally.

Switch on/off: briefly press the "○" key to turn on or off the thermostat.

Set temperature: When the machine is turned on, briefly press "▲" or "▼" to adjust the set temperature, and the set temperature changes by 1 °C each time.

Mode switching: press and hold the "□" key to switch between automatic mode and manual mode. The automatic mode will enter the programmed time period and temperature automatic control. The manual mode can set the temperature manually.

Time setting: shortly press the "M" key to set the time, and the time will flash. Press the "□" key to switch between minutes, hours, and weeks, and press the "▲" or "▼" keys to adjust the value.

Single-time timing setting: When starting up, you can set a single timed shutdown. When shutting down, you can set a single timed startup: shortly press the "M" key for flashing time, and then press the "□" key until the timing "--:--" appears. Press the "▲" or "▼" key to set the specific timing for turning on or off. After setting, press the "M" key to exit. At this time, the screen shows a "○" mark, indicating successful setting.

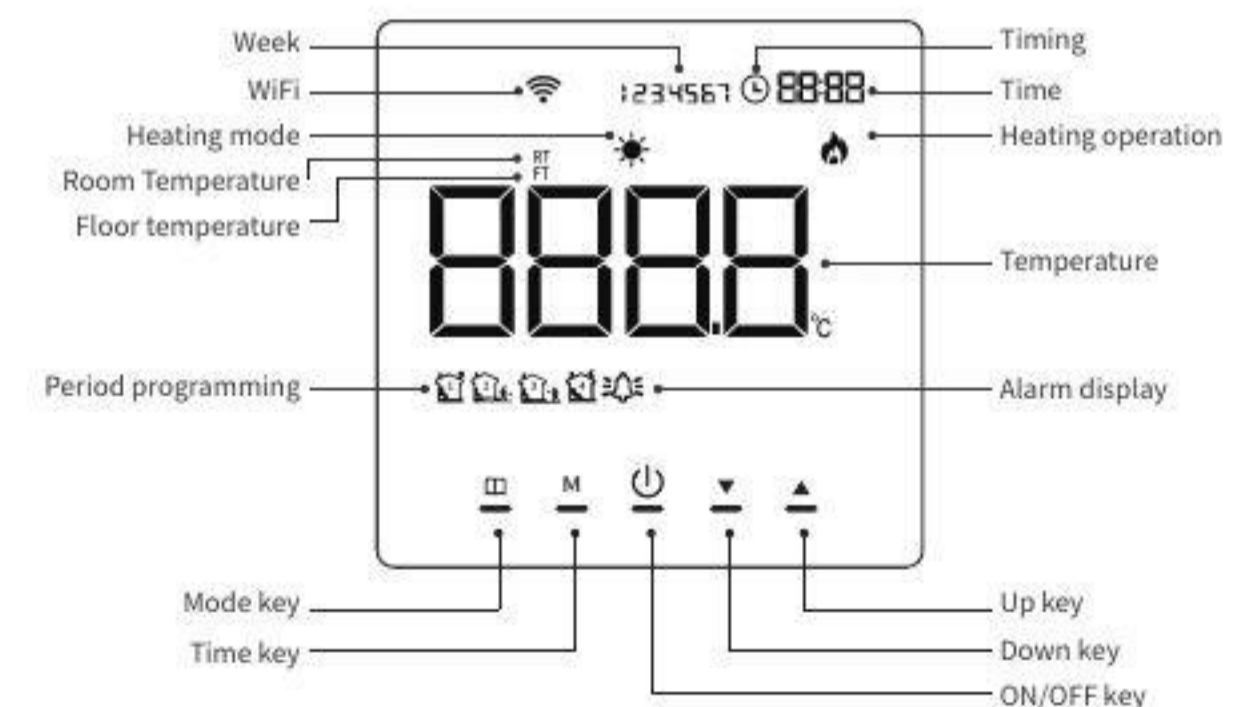
Cancel the single timing setting: press and hold the "▼" key when starting the machine: cancel the timing shutdown.

Press and hold the "▼" key when shutting down the machine: cancel the scheduled startup.

2. Product parameters

Temperature sensing element	Thermistor
control accuracy	±1°C
Installation hole spacing	60mm (standard)
work environment	0-45°C
supply voltage	220±10VAC
Rated power	16A (Electric) 3A (Water)
Shell material	PC
temperature range	5-60°C (Adjustable)

4. Show Introduction



5. Advanced setting

Press and hold the "▲" and "▼" keys for 3s while shutting down the machine to enter the advanced setting function. The specific operation is as follows: Then briefly press "□" key to switch parameters, press "▲" and "▼" to adjust parameter values, and press "○" key to exit saving.

Numbers	Current display value definition	Range	Explain	Default
00	Correction value of indoor temperature	±10.0°C	Adjust to the correct room temperature	0°C
01	Floor temperature correction value	±10.0°C	Fine adjustment value of floor temperature sensor	0°C
02	Sensor selection	00-02	00 internal, 01 external, 02 internal and external	00
03	Set the upper temperature limit	35-60°C	Set the maximum temperature	35°C
04	Set lower temperature limit	5-15°C	Set the minimum temperature	5°C
05	Switch deviation setting	0-10.0°C	Set output deviation value	1.0°C
06	Delay output time	00-10	0-10 second delay output time	01
07	Warning value of floor temperature	0-80.0°C	Maximum floor temperature	60
08	Low temperature protection function	00-01	00 Close, 01 Open	00
09	Screen off function selection	00-02	00 screen off, 01 indoor temperature, 02 normally on	01
10	Restore factory settings	00-01	01 Restore factory default	00

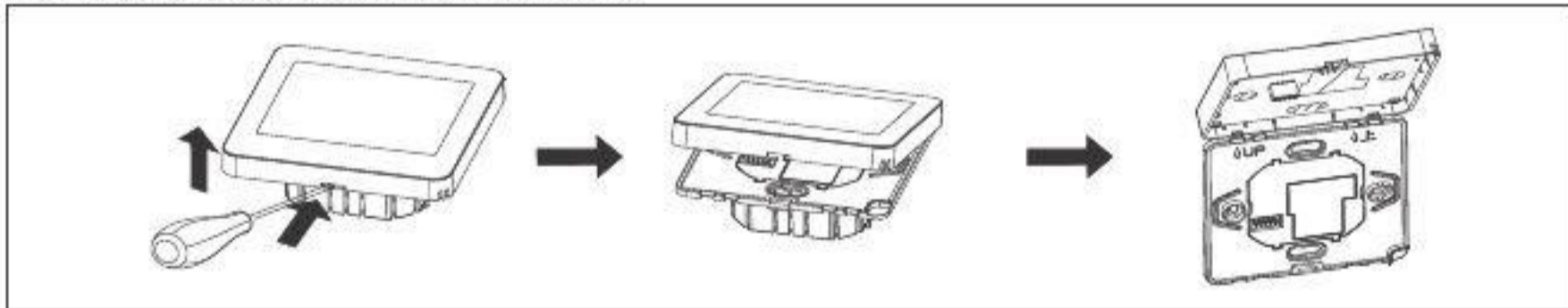
6. Period programming

In the case of power off, press and hold the "□" key for 3 seconds to enter the time period setting function, and the time flashes at this time. The specific operations are as follows:

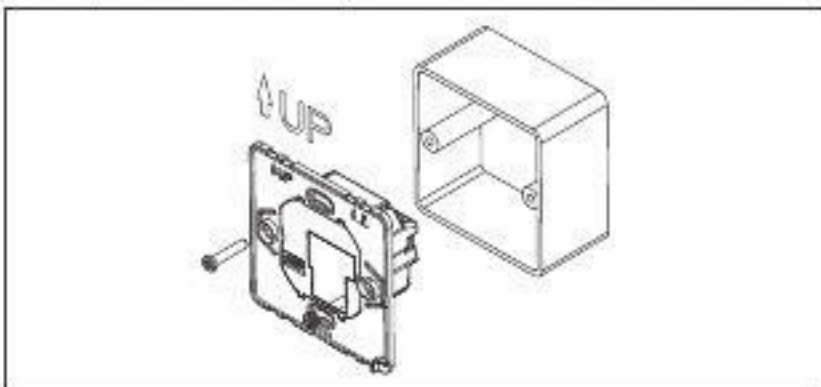
Modification time/temperature	Modify week/time period	Period	Representative symbol	Default time	Default temperature	Modify temperature	
Press the "M" key to switch minutes, hours and temperatures and press the "▲" or "▼" key to adjust the value when flashing	Continue to press the "□" key to modify the week and time period. When flashing, press the "▲" or "▼" key to adjust the value	Working day	1		6:00	20°C	Press "▲" or "▼" to adjust
			2		8:00	15°C	
			3		17:00	22°C	
			4		22:00	15°C	
	Off day	1		8:00	22°C		
		2		23:00	15°C		

7. Installation method

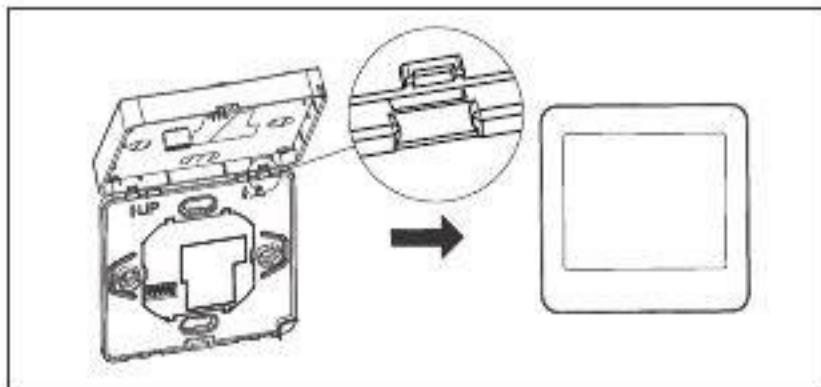
1. Remove the front panel of the thermostat with a screwdriver.



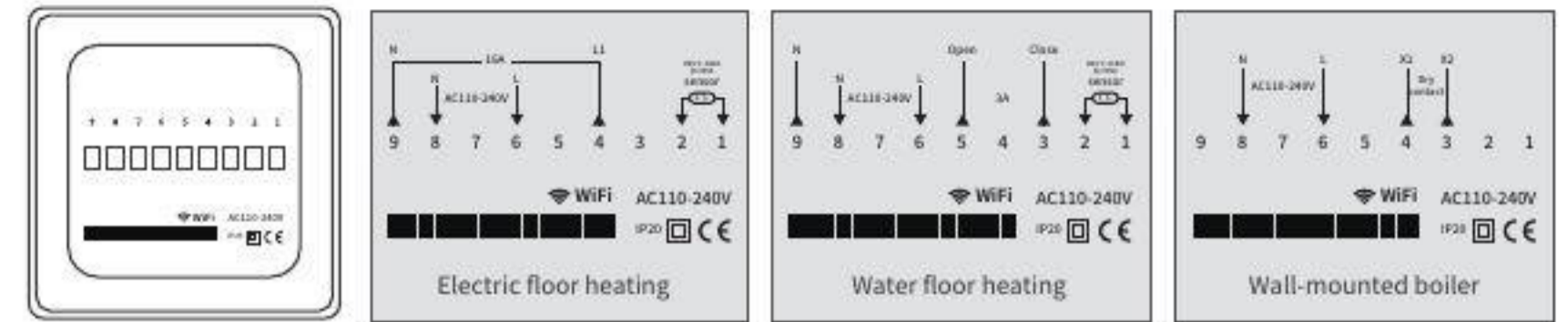
2. Install the rear shell of the thermostat in the cassette on the wall, tighten the screws, and then fix the front panel of the thermostat on the rear shell.



3. Fix the snap at the bottom of the thermostat.



8. Wiring diagram



9. WiFi connection

WiFi reset: (All products have been reset with WiFi before leaving the factory. To ensure the wifi configuration is smooth or the user misoperation and other reasons, it is recommended that all wifi configurations should be initialized and reset.): In the shutdown state, long press the "○" key of the temperature controller, and 00 will appear. Then press the "▲" key to adjust 00 to 01, and then press the "○" key to save to complete the wifi reset of the temperature controller.



(Figure 1)

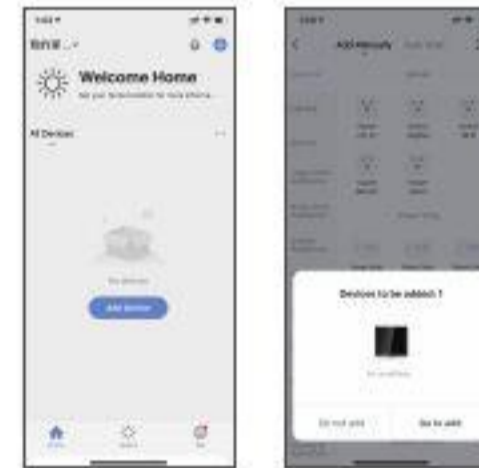


(Figure 1)

Connect the device to the APP (first scan the QR code to download the APP, complete the registration, and then follow the following steps to configure the WiFi)

1. Bluetooth connection

Turn on the Bluetooth function of the phone, and then open the downloaded APP. Wait a few seconds for the following picture to appear, click "Go to add".



2. Search for device

The password appears automatically or manually enter the password. Click "Confirm" to show the percentage connection progress.



3. Connection complete

Click on the "+" sign. Connection complete.



4. Auto connect

Or choose automatic connection. Wait for the following picture to appear, click "Next".



5. Connection complete

Click "Done" to complete the connection.



Two-dimensional code of APP