

Smart
Intelligent controller
Creating intelligent and comfortable home life

Smart Life

HOME

- Intelligent speaker voice control
- Remote control of mobile app

LCD high definition screen
Tempered glass surface
AE-6603-VRF | AE-6603-VRF-WIFI

1. Product Introduction



AE series intelligent controller. It is widely used in families, residential buildings, schools, hotels, hospitals, offices and other environments to achieve ideal room temperature.

Modern design and fashionable appearance.

The LCD display can be seen clearly even in the dark.

Tempered glass surface can avoid finger scratch.

The touch button is easy to operate.

Accurate comfort control can keep the temperature within 1 ° C of your set value.

Data is automatically stored when the power is turned off.

The WiFi model can be remotely controlled using a mobile app/intelligent speaker voice control.

2. Product parameters

Temperature sensing element	Thermistor
Control accuracy	±1°C
Installation hole spacing	60mm (standard)
Work environment	0-45°C
Shell material	Aluminium alloy
Temperature range	16-32°C (adjustable)

3. Operating instructions

Temperature controller reset: After the initial installation of the temperature controller, please reset the temperature controller. In the shutdown state, press and hold the "▲" key for more than five seconds until 00 appears or the LCD screen is fully displayed. After completing the temperature controller reset, the temperature controller can work normally.

Switch: Shortly press the "○" key to turn on or turn off the thermostat.

Child lock settings: press the "M" key for 3 seconds, turn on or off the child lock function, the thermostat is running normally, and the key function is invalid.

Setting temperature: On power-on, adjust the setting temperature by pressing "▲" or "▼" key, and set the temperature to change by 1 ° C once per key.

Mode switching: Shortly press "□" key to enter cooling mode, heating mode, ventilation mode, and dehumidification mode.

Wind speed switching: Shortly press "M" key for high, medium, low and automatic wind speed switching.

Manual automatic switching: Press and hold the "▲" key for 3 seconds to switch between manual mode or automatic mode. The automatic mode can be programmed and set.

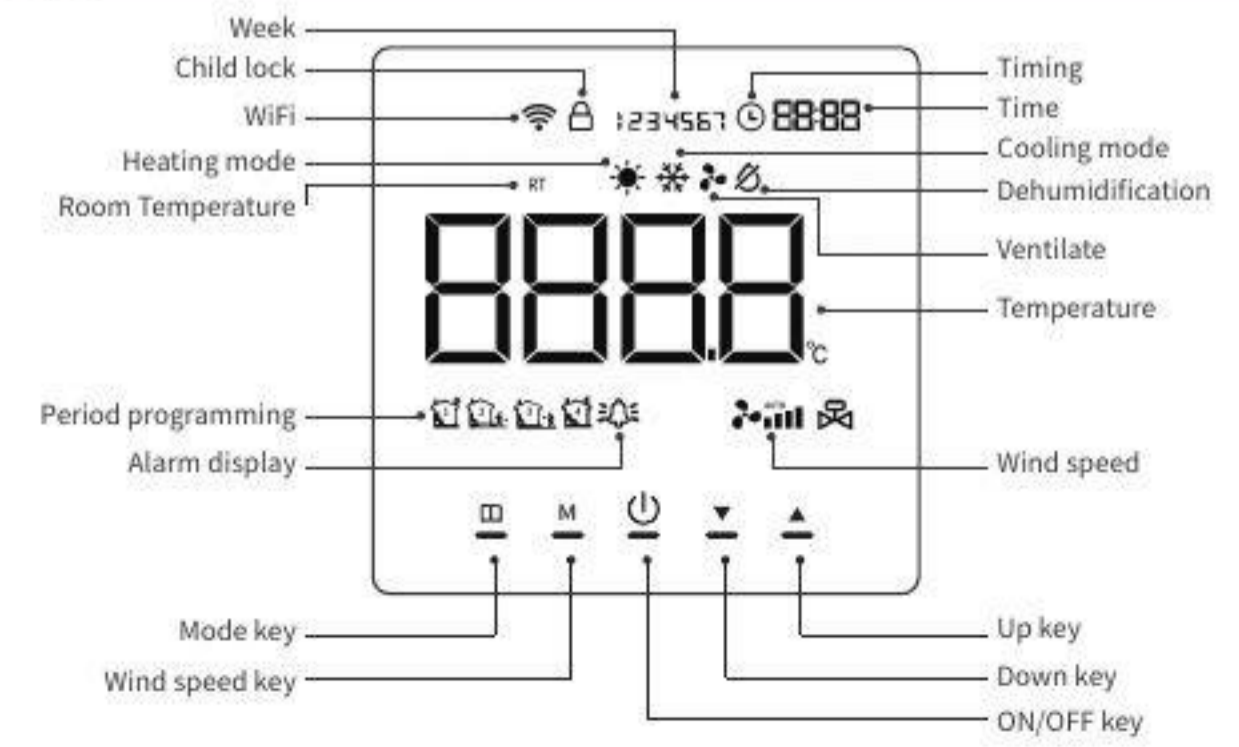
Time setting: shortly press the "M" key to set the time, and the time will flash. Press the "M" key to switch between minutes, hours, and weeks, and press the "▲" or "▼" keys to adjust the value.

Single-time timing setting: When starting up, you can set a single timed shutdown. When shutting down, you can set a single timed startup: shortly press the "M" key for flashing time, and then press the "□" key until the timing "--:--" appears. Press the "▲" or "▼" key to set the specific timing for turning on or off. After setting, press the "M" key to exit. At this time, the screen shows a "⊙" mark, indicating successful setting.

Cancel the single timing setting: press and hold the "▼" key when starting the machine: cancel the timing shutdown.

Press and hold the "▼" key when shutting down the machine: cancel the scheduled startup.

4. Show Introduction



5. Advanced setting

Press and hold the "▲" and "▼" keys for 3s while shutting down the machine to enter the advanced setting function. The specific operation is as follows: Then briefly press "□" key to switch parameters, press "▲" and "▼" to adjust parameter values, and press "○" key to exit saving.

Numbers	Current display value definition	Range	Explain	Default
00	Set the upper temperature limit	lower limit-32°C	Set the maximum temperature	30°C
01	Set the lower temperature limit	16°C-lower limit	Set the minimum temperature	18°C
02	Temperature selection value	00-02	00- No temperature 01- Built in temperature 02- Return air temperature	02
03	Built in temperature calibration value	-10.0~10.0	Adjust to the appropriate value	00
04	Standby display mode	00-02	00- No change in standby display 01. Real time temperature display in standby mode 02- No display in standby mode	01
05	Selection value of standby backlight brightness	00-10	Adjust to the appropriate value	00
06	Enter standby time value	01-60	Unit 10s	06
07	Restore factory settings	00-01	01Restore to factory default	00

6. Period programming

1. In the shutdown state, press and hold the "□" key to enter the programming mode. At this time, the programming time period indicator "□" appears and the "hour" flashes. Press the "M" key to flash the hour, minute, and temperature in sequence, and press "▲" in the flashing state. "Or" "▼" key to adjust the value to set the current time period and the current time period temperature.

2. In the blinking status of hour, minute, and temperature, press the "□" key to enter the time zone and week selection. At this time, the time zone and week will flash in sequence, and press the "▲" or "▼" key in the flashing state for four time periods And the day of the week, press the "M" key again to return to the hour, minute, and temperature flashing.

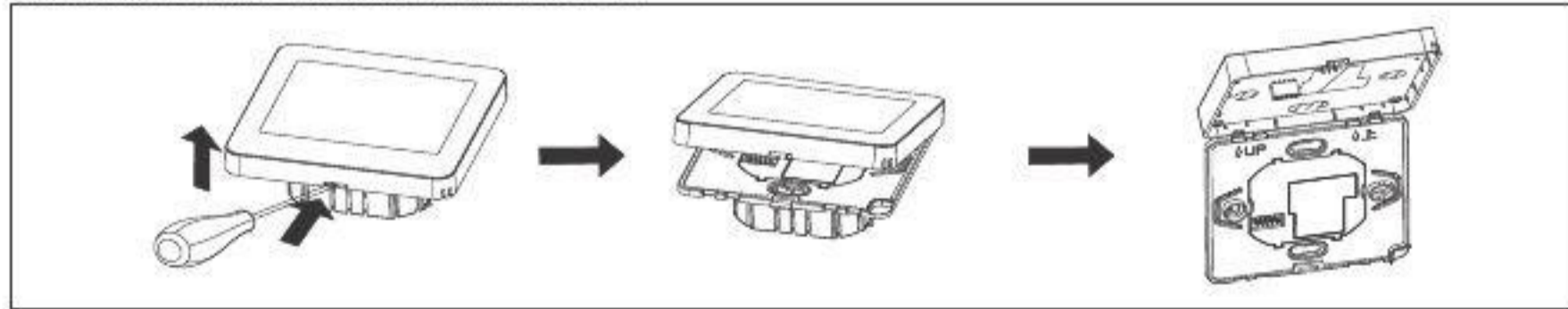
3. When the week of the week is flashing, press and hold the "□" key, and the buzzer of the thermostat will beep at this time, and the current time period will be copied to every day from Monday to Sunday.

Note: The time period is continuous time, and the middle discontinuity or span cannot be set.

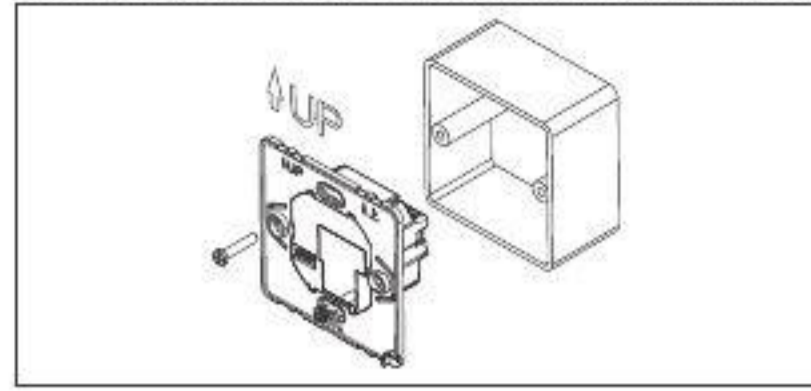
Time period	symbol	Default time	Default temperature
1		06:00—08:00	25°C
2		08:01—17:00	25°C
3		17:01—22:00	25°C
4		22:01—05:59	25°C

7. Installation method

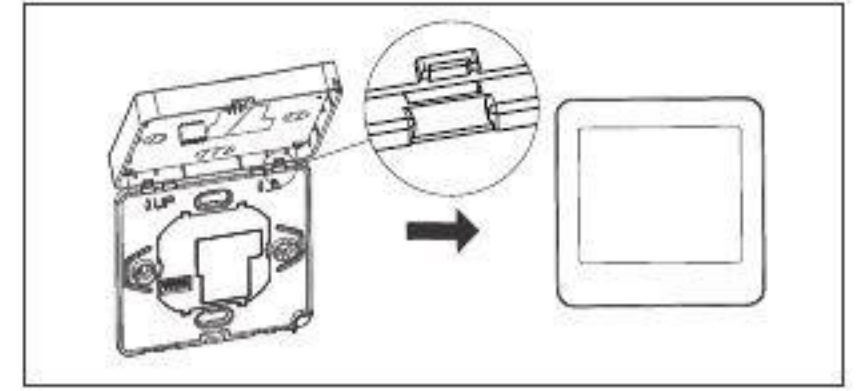
1. Remove the front panel of the thermostat with a screwdriver.



2. Install the rear shell of the thermostat in the cassette on the wall, tighten the screws, and then fix the front panel of the thermostat on the rear shell.



3. Fix the snap at the bottom of the thermostat.



8. WiFi connection

WiFi reset:(All products have been reset with WiFi before leaving the factory. To ensure the wifi configuration is smooth or the user misoperation and other reasons, it is recommended that all wifi configurations should be initialized and reset.): In the shutdown state, long press the "○" key of the temperature controller, and 00 will appear. Then press the "▲" key to adjust 00 to 01, and then press the "○" key to save to complete the wifi reset of the temperature controller.



(Figure 1)

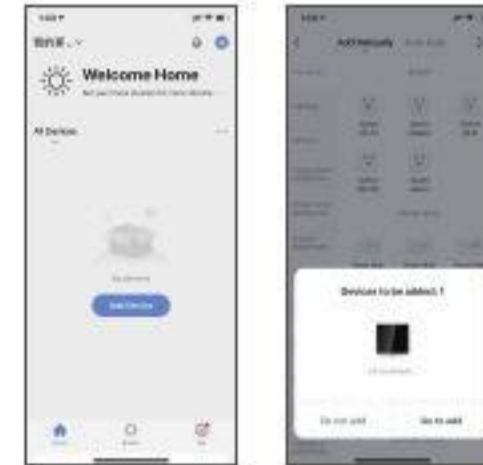


(Figure 1)

Connect the device to the APP (first scan the QR code to download the APP, complete the registration, and then follow the following steps to configure the WiFi)

1. Bluetooth connection

Turn on the Bluetooth function of the phone, and then open the downloaded APP. Wait a few seconds for the following picture to appear, click "Go to add".



2. Search for device

The password appears automatically or manually enter the password. Click "Confirm" to show the percentage connection progress.



3. Connection complete

Click on the "+" sign. Connection complete.



4. Auto connect

Or choose automatic connection. Wait for the following picture to appear, click "Next".



5. Connection complete

Click "Done" to complete the connection.



Two-dimensional code of APP